



PRIMO S

Strand pelletizing system
for best pellet quality

 **AUTOMATIK**

The strand pelletizers of the PRIMO S series are characterized by high flexibility and very good machine availability with maximum efficiency. As an allrounder or machine specially adapted to your product, the PRIMO S produces cylindrical pellets of excellent quality.

Your benefits

- Shortest possible unguided section from feeding unit to cutting unit
- Sturdy, double-sided bearing of the cutting rotor
- Very high system availability due to wear-resistant cutting tools
- Quick and easy access for cleaning and servicing; quick product changeover
- Consistent pellet quality

PRIMO S

Functionality and system components

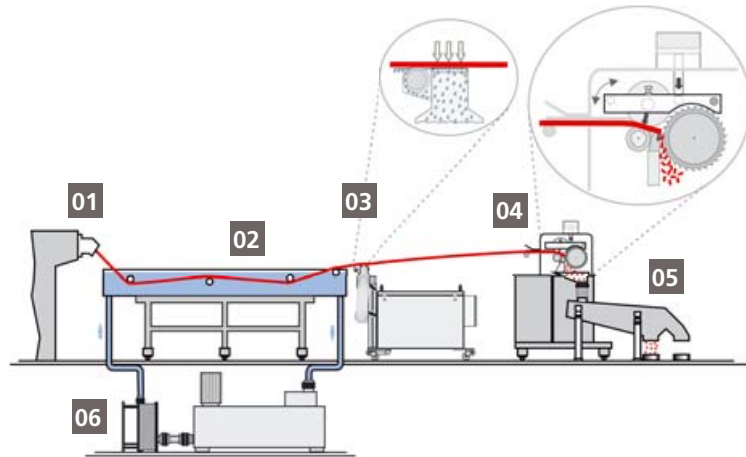
Functioning of the WSG systems

Polymer strands extruded from a die head **01** pass through the cooling trough **02**.

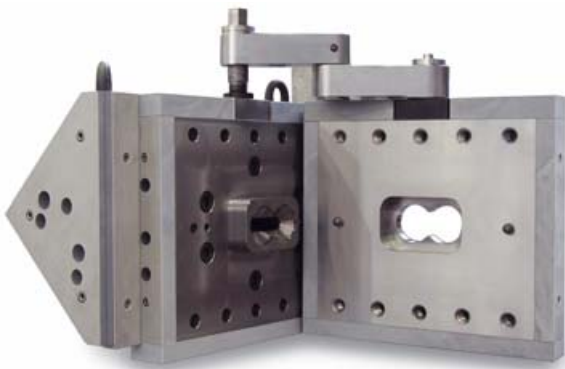
The air knife **03** ensures effective strand drying prior to cutting. The residual moisture after strand drying evaporates in the evaporation section.

The feed tools of the strand pelletizer **04** catch the polymer strands and direct them to the cutting tools where the strands are cut into pellets.

The pellets are classified, cooled, and conveyed in subsequent operations **05**. The cooling water is filtered and temperature controlled in a process water unit **06** and then returned to the cooling trough.



WSG system components



SG-C 300 die head: A swivel joint ensures quick access to the extruder screw



KW 600 cooling trough



PWA 20 process water unit



SE 400-2 air knife

PRIMO S

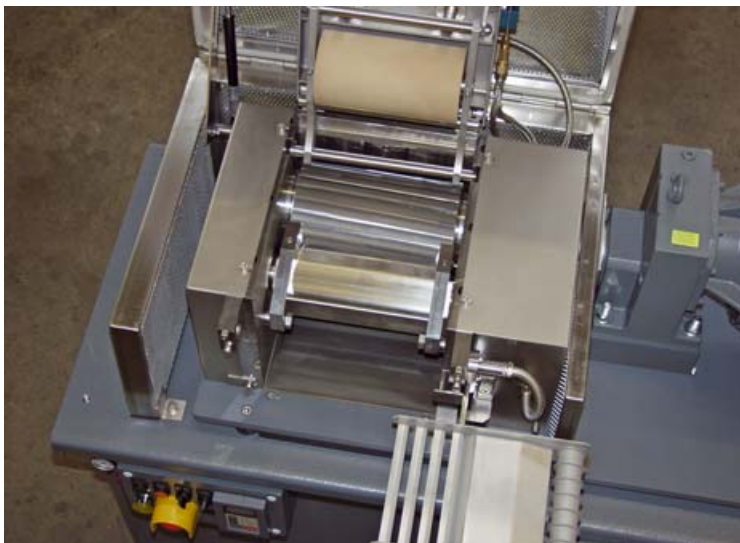
Strand pelletizer



PRIMO S Pelletizer

Strand pelletizer

- Double-sided bearing of the PRIMO S for higher cutting gap consistence and sturdiness
- Strand draw-in speeds of up to 100 m/min possible
- Shifting of operating range possible through selection of individual components
- Deposit-free cutting head
- Upper feed roll and cutting head cooling for high temperature applications
- Optimized start-up for soft products using Soft Polymer Kit



Looking into the cutting chamber

Cutting tools

Our specialists support you in selecting the right cutting tools for your product and process. We have more than 150 different rotor variants with the appropriate counter blade pairs and feed roll materials optimally designed for the product.

- Long service life of cutting tools depending on the selection of materials, e.g. cutting rotor for PA with 15-50 % glass fiber > 1,000 h
- Wide range of materials, e.g. stainless tool steel, tungsten carbide, ceramics, and diamond
- Wedged cutting rotor with positive interlock available (patented)

PRIMO S

Technical data

Technical data:	PRIMO 100 S	PRIMO 200 S	PRIMO 300 S
Operating width:	100 mm	200 mm	300 mm
Drive system:	AC motor with belt drive		
Motor power of pelletizer:	3-7.5 kW	3-11 kW	3-15.0 kW
Line speed at pellet length of 3 mm:	30-70 m/min		
No. of strands at 75 % utilization rate and a pellet diameter of 3 mm:	25	50	75

Throughput rates [kg/h]*:		PRIMO 100 S	PRIMO 200 S	PRIMO 300 S
Product:	Density [g/cm ³]			
PP, PE:	0.91	700	1,350	2,000
GPPS, SAN:	1.04	800	1,600	2,400
ABS, HIPS:	1.04	800	1,600	2,400
PMMA:	1.18	900	1,750	2,600
PET, PBT:	1.31	1,000	2,000	3,000
PA 6, PA 6.6:	1.14	850	1,700	2,200 (65)
PET, PBT, PA, PP + 15 bis 50 % glass fiber:	1.00	750	1,500	1,800 (60)
	1.55	1,000	2,000	2,400 (60)
Thermoplastic elastomers:	1.10	850	1,600	2,500
Masterbatch with > 40 % fillers:	1.30	1,000	2,000	3,000

* Pellet length 3 mm, pellet diameter 3 mm, and maximum number of strands.

