

Press Release

Maag releases the new F-Series gear pump

Oberglatt, Switzerland, June 27, 2019 – Maag Industrial will release the new F-Series, the DX “Dosix” with a better dosing accuracy and the FX “Flexinox” the flexible alternative of the existing CX and TX.

“During the development of the series, we have tested several types of “gear shafts” in steels and plastics, Peek and others that give us a chance to have different advantages and flexibility. For this new series, we’ll have the chance to use the new Z16 with sixteen teeth for the FX and the Z14 with fourteen teeth for the DX. “ says Claudio Bonafede, Managing Director of Maag Italy.

Thanks to their modular design, which facilitates the flexible configuration, and hence adapted even better to the needs of customers and processes. In addition, the modular principle also simplifies cleaning and maintenance work.

The advantage for Maag and the customers is the key components - the gear shaft, bearing and seal remains the same as before. The customers could use the new series and can still use the existing spare parts.

The range of sizes is as follows:

DX 20/5	FX 22/22
DX 20/10	FX 28/28
DX 20/20	FX 36/36
	FX 45/45

For more information please go to <https://maag.com/pump/f-series/>

Words: 190	Characters (including/excluding blanks): 898 / 1'176	May be reproduced free of charge; please provide a copy of the published version
------------	--	--

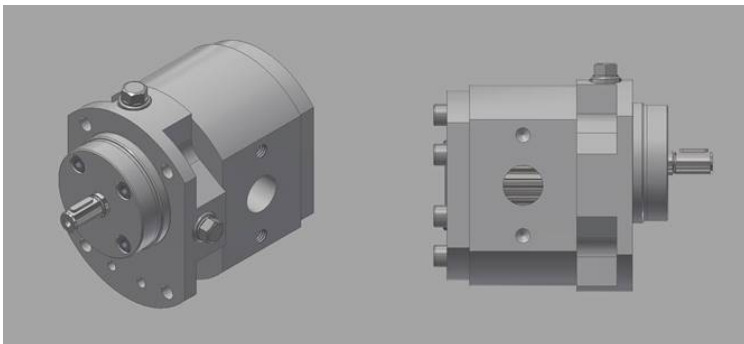


Photo: New Maag F Series gear pump

Press Release

Information about Maag:

Maag is the worldwide leading manufacturer of gear pumps, pelletizing systems, filtration systems and pulverizers for demanding applications in the plastics, chemical, petrochemical, pharma and food industries. Maag develops, manufactures, and distributes innovative, customized solutions for complete pump and pelletizing systems – with the expertise based on its long-term industrial tradition since 1910.

Maag is known worldwide as a pioneer and technology leader in the development and manufacturing of gear pumps and system solutions tailored to meet the needs of individual customers. For decades the company has stood for innovative pelletizing systems of the highest quality. In 2018-Ettlinger Kunststoffmaschinen GmbH has joined the Maag family, thereby extending the product portfolio to include high performance melt filters and injection molding machines.

Maag manufactures in Switzerland, Germany, Italy, USA and China, with additional sales offices in France, Singapore, Taiwan, Malaysia, India, Thailand and Brazil and employs more than 1000 staff. It is represented in the markets with its brands „Maag Pump & Filtration Systems“, „Automatik Scheer Strand Pelletizers“, „Gala Automatik Underwater Pelletizers“ and „Reduction Pulverizing Systems“. Maag, a Dover Corporation Company, is a business unit of Dover Fluids.